

60x60x15mm (2.36"x2.36"x0.59")

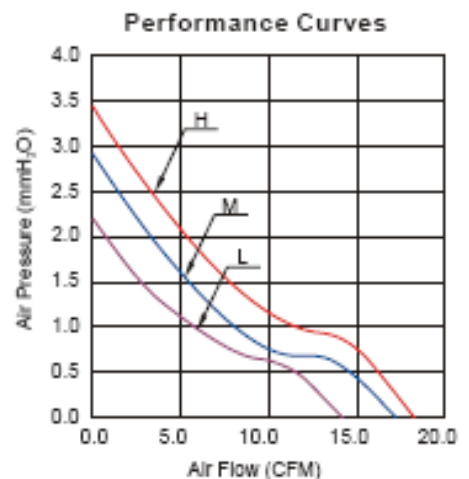
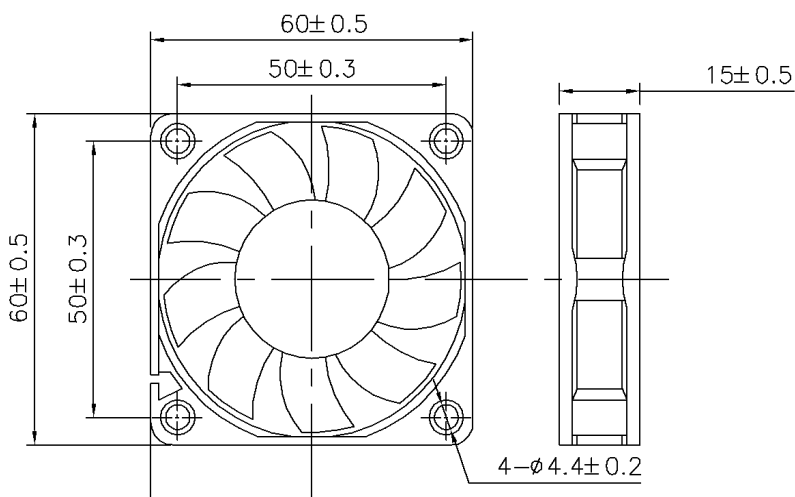


Frame:Plastic(UL:94-0)
 Impeller:Plastic(UL:94-0)
 Lead wire:UL 1007AWG24
 Red wire positive (+)
 Black Wire negative (-)
 Operation Temperature:-10°C-70°C
 Motor Protection: Impedance Protected
 Reverse Polarity Protected
 Safety approval: UL TUV CE

Specifications(Nominal)

S=Sleeve bearing B=One ball bearing D=Two ball bearing

| Model No. | Bearing System Type | Rated Voltage (VDC) | Speed Type | Rated Current (A) | Rated Speed (RPM) | Air Flow (CFM) | Aire Pressure (mmAg) | Noise Level (dBA) | Weight (g) |
|-----------|---------------------|---------------------|------------|-------------------|-------------------|----------------|----------------------|-------------------|------------|
| HT□D06015 | S/B/D | 5 | H | 0.30 | 3600 | 18.21 | 2.45 | 28.0 | 35 |
| | | | M | 0.28 | 3200 | 17.89 | 2.30 | 27.5 | |
| | | | L | 0.17 | 2700 | 15.24 | 1.98 | 25 | |
| | | 12 | H | 0.36 | 5500 | 24.03 | 4.56 | 36.0 | |
| | | | M | 0.22 | 4500 | 22.26 | 3.38 | 32.0 | |
| | | | L | 0.18 | 3800 | 18.21 | 2.45 | 28.0 | |
| | | 24 | H | 0.14 | 4600 | 24.03 | 4.56 | 36.0 | |
| | | | M | 0.12 | 4200 | 21.26 | 3.28 | 32.0 | |
| | | | L | 0.07 | 3500 | 18.21 | 2.45 | 28.0 | |



* All reading are typical values at rated voltage.
 * Specifications subjected to change without notice