

70x70x15mm (2.75"x2.75"x0.59")

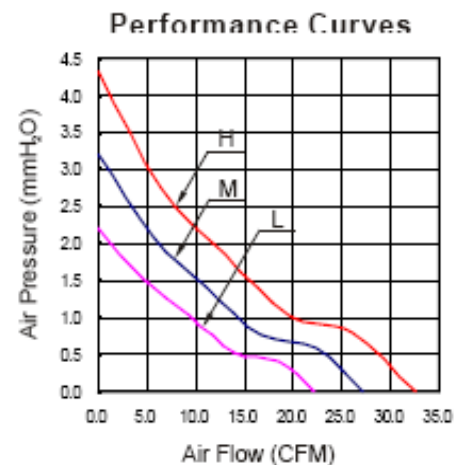
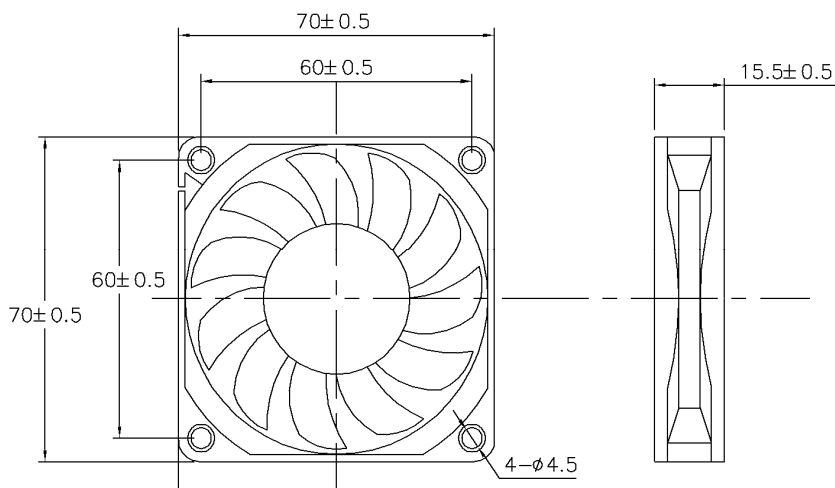


Frame:Plastic(UL:94-0)
 Impeller:Plastic(UL:94-0)
 Lead wire:UL 1007AWG24
 Red wire positive (+)
 Black Wire negative (-)
 Operation Temperature:-10°C-70°C
 Motor Protection: Impedance Protected
 Reverse Polarity Protected
 Safety approval: UL TUV CE

Specifications(Nominal)

S=Sleeve bearing B=One ball bearing D=Two ball bearing

Model No.	Bearing System Type	Rated Voltage	Speed Type	Rated Current	Rated Speed	Air Flow	Aire Pressure	Noise Level	Weight
		(VDC)		(A)	(RPM)	(CFM)	(mmAg)	(dBA)	(g)
HT□D07015	S/B/D	5	M	0.19	2800	21.26	2.33	28.0	50
			L	0.16	2200	20.06	2.13	27.0	
		12	E	0.30	4200	34.00	4.70	40.0	
			H	0.23	3800	32.25	4.46	38.0	
			M	0.17	3300	28.67	3.52	32.0	
			L	0.11	2800	21.26	2.33	28.0	
		24	H	0.13	3300	28.67	3.52	32.0	
			M	0.11	3000	22.46	2.60	31.0	



* All reading are typical values at rated voltage.
 * Specifications subjected to change without notice