

80x80x15mm (3.15"x3.15"x0.59")

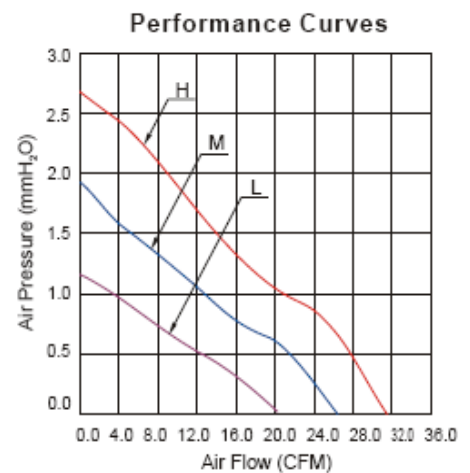
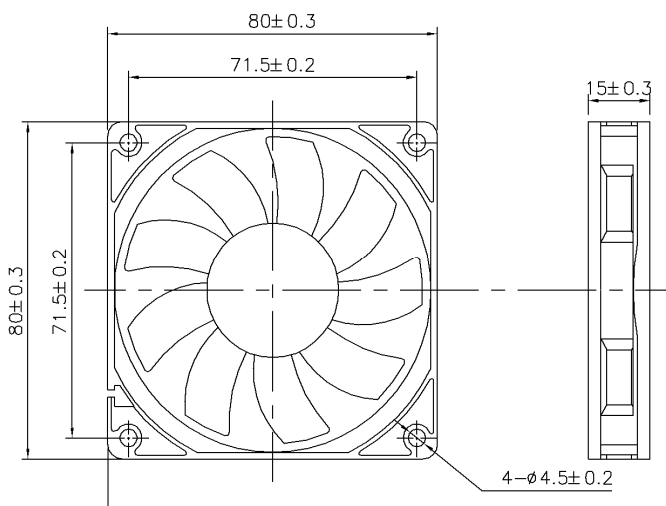


Frame:Plastic(UL:94-0)
 Impeller:Plastic(UL:94-0)
 Lead wire:UL 1007AWG24
 Red wire positive (+)
 Black Wire negative (-)
 Operation Temperature:-10°C-70°C
 Motor Protection: Impedance Protected
 Reverse Polarity Protected
 Safety approval: UL TUV CE

Specifications(Nominal)

S=Sleeve bearing B=One ball bearing D=Two ball bearing

Model No.	Bearing System Type	Rated Voltage	Speed Type	Rated Current	Rated Speed	Air Flow	Aire Pressure	Noise Level	Weight
		(VDC)		(A)	(RPM)	(CFM)	(mmAg)	(dBA)	
HT□D08015	S/B/D	5	M	0.22	3000	23.01	1.36	20.0	60
			L	0.17	2000	20.01	1.36	20.0	
		12	H	0.30	4000	36.26	4.08	36.0	
			M	0.18	3000	29.05	3.16	30.0	
			L	0.12	2000	23.01	1.36	20.0	
			X	0.07	1600	20.23	1.16	19	
		24	H	0.20	4000	36.26	4.08	36.0	
			M	0.16	3000	29.05	3.16	30.0	
			L	0.10	2000	23.01	1.36	20.0	



* All reading are typical values at rated voltage.
 * Specifications subjected to change without notice